

# **ROTEXMASTER Wood Pellet Machine**

**OFFER THE WORLD A BLUE SKY**



# Vertical Ring Die Wood Pellet Machine

Vertical Ring die pellet machine is specially designed to press soft wood and hard wood into 6-10mm cylinder pellets, usually the length of pellets is about 1-3 cm.



Wood Shavings



Wood Wastes



Tree Branch



Log



Cornstalk



Cotton Stalks



Straws



Coconut Shells





# Working Principle of Wood Pellet Machine

- Vertical Ring die pellet machine consists of a die and roller assembly, the die is fixed and the rollers run around the die.
- Loose material is fed into the pelletizing cavity.
- Roller rotation pressure force the material through die, compressing it into pellets.
- Adjustable knives cut the pellets to the desired length.
- No additives are normally used. The lignin in the wood acts as a binding agent as it softens during the pelletizing process .
- During press, a certain amount of additional moisture is extracted with the pellet mill.
- So, the main tools for pelletising are die and rollers.



# Parameter of Wood Pellet Machine

| Model   | Power                 | Capacity  | Weight |
|---------|-----------------------|-----------|--------|
| YGKJ560 | 132+1.5+1.5+0.37+0.75 | 1.5-2T/hr | 5.8T   |
| YGKJ700 | 160+2.2+0.75+0.37+1.5 | 2-3T/hr   | 7.8T   |
| YGKJ880 | 220+3+0.55+2.2+1.5    | 3-4T/hr   | 12T    |

# Layout of Wood Pellet Machine

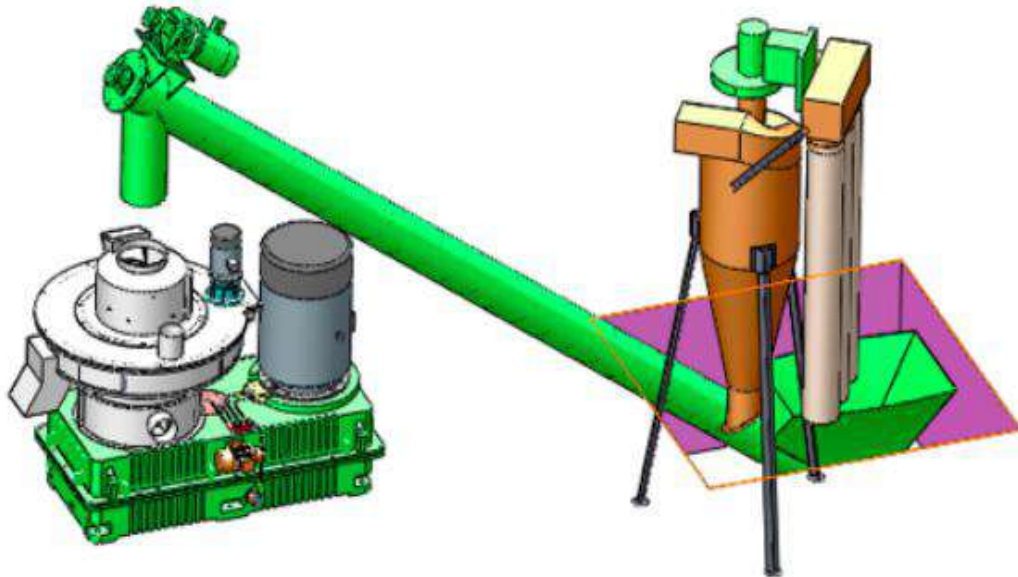
## This is the simplest wood pellet line.

- The raw material must be sawdust, or shaving.
- The size of raw material should be less than 8mm.
- The moisture content of raw material should be around 12-15%.

## ■ This simple wood pellet line includes:

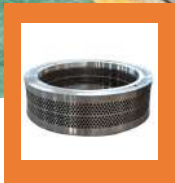
A : Screw Conveyor: Which is used to send the raw material into pellet machine

B: Ring die wood pellet machine to press pellets.



# ROTEXMASTER LARGE WAREHOUSE

Timely response for customers' request, with large storage of machinery parts and spare parts. Delivery timely



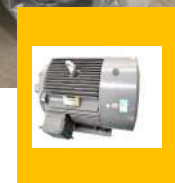
## 01 Ring Die

Ring die is the key part in wood pellet machine.  
Rotexmaster store abundant of ring die with different compression ratio



## 02 Roller Assemble

Roller assemble is also key part in wood pellet machine.  
Rotexmaster design new structure roller assemble with its own patent.



## 03 Motor and Reducer

Stock enough motor and reducer to ensure the production on time.  
All motors are Siemens Beide Brand and reducers are China Guomao Brand.

# Rotex Master Customer Case



**20tph Wood Pellet Line in China**



**20tph Wood Pellet Line in Indonesia**



**10tph Wood Pellet Line in Philippines**



**6tph Straw Pellet Line in Bulgaria**



**6tph Wood Chips Pellet Line in Thailand**



**10tph Wood Pellet Line in Malaysia**

# Rotex Master Certificate

Certificate – Сертификат – 證明書 – Certificat – 증명서 – شهادة

## Annex I

No. OP180327.SRM0N13  
Technical Construction File no. TMLM.0018032624184

Model(s):

**Hammer mill:**  
YSG30, YSG45/27, YSG45/35, YSG65/75, YSG65/100, YSG130/55, YSG130/100, YCD65/35, YCD65/75, YCD65/100, YCD75/100, YCD65/27, YCD65/35, YCD65/75, YCD65/100, YSD112/40, YSD112/60, YSCD45/75, YSCD65/100, YPC15-80, YPC15-140, YPC45-250, YXP-20, YXP-300, YXP-690, YMKJ-215, YMKJ-216, YMKJ-218, YMKJ-2113, YBK216, YBK218, YBK2113, YKQJ-3000, YKQJ-2500, YKQJ-3000, YFPA-325, YFMY-50, YFMY-80, YFQ1.5, YFQ2.0, YFQ4.0, YFQ4.5, YFQ9.0, YFQ12, YFQ16, YFQ6-0, YFQ9-0

**Rotary Dryer:**  
GHG40.8x12mx1, GHG41.2x12mx1, GHG41.2x12mx1, GHG41.3x12mx1, GHG41.5x18mx1, GHG41.8x18mx1, GHG41.8x12mx1, GHG41.8x24mx1, GHG42.2x12mx1, GHG42.2x24mx1, GHG42.3x18x1, GHG42.3x24x1, GHG42.3x24x1, GHG42.3x12mx3, GHG42.2x12mx3, GHG42.3x12mx3, GHG42.3x12mx3

**Wood Pellet Machine:**  
YKJ180, YKJ450, YKJ540-A, YKJ540-B, YKJ480, YKJ700, YKJ850, YKJ880, YKJ200, YKJ250, YKJ300, YMKJ250, YMKJ300, YMKJ350, YMKJ400, YMKJ450, YMKJ550, YMKJ800

**Mixer:**  
YSHJ-100, YSHJ-250, YSHJ-500, YSHJ-1000, YSHJ-2000, YSHJ-3000, YSHJ-5000, LSHJ40x3000, LSHJ40x4000, LSHJ40x6000, LSHJ55x3500, LSHJ55x4000

**Cooler Equipment:**  
YSKLN1.2, YSKLN1.5, YSKLN2.5, YSKLN4, YSKLN6, 2m<sup>3</sup>, 4m<sup>3</sup>, 10m<sup>3</sup>, 12m<sup>3</sup>, 20m<sup>3</sup>

**Screener:**  
YKFT60x20, YKFT60x20, YKFT100x20, YKFT120x20, YKFT150x20, YGTS100x2, YGTS120x3, YGTS150x4, YGTS180x5, YGTS200x6, YGTS220x6, SFJH60x20, SFJH80x20, SFJH110x20, SFJH130x20, SCY43, SCY16, SCY140, JD115x80, JD150x113


**Conveyor:**  
YPSJ, TDJ, LSJ, DPJ, BF

**Packing Equipment:**  
DCS-10, BZJ-35, BZJ-50, DBJ-100

**Dedusting Equipment:**  
JYX250x12, JYX250x16, JYX250x32, JYX250x48, JYX250x64, JYX250x96, BDQ135x16, BDQ135x25, BDQ135x36, BDQ135x48, BDQ135x64, BDQ135x80, BDQ135x96, BDQ135x120, BDQ135x150

**Silo:**  
3m<sup>3</sup>, 4m<sup>3</sup>, 6m<sup>3</sup>, 8m<sup>3</sup>, 10m<sup>3</sup>, 50m<sup>3</sup>, 100m<sup>3</sup>, 150m<sup>3</sup>, 200m<sup>3</sup>

**Enle Certificazione Macchine Srl**  
Via C/o Bello, 243 – Loc. Costello di Serravalle – 40053 Vitaranoglia (BO) – ITALY  
☎ +39 051 6705141 ☎ +39 051 6705156 ✉ info@enlecert.it



## QUALITY MANAGEMENT SYSTEM CERTIFICATE

Certification No. : 17416Q20253R05

Awarded to

Shandong Rotex Machinery Co., Ltd

Organization Code: 913701810611970543

Registration Add.: Room 2201.22/F, Building 4, Longxuan International Plaza, No.1688 Shuangshan Street, Shuangshan Subdistrict, Zhangqiu District, Jinan City, Shandong Province

Office Add.: North Caofan Village, Caofan Town, Zhangqiu City, Shandong Province

Production Add.: North Caofan Village, Caofan Town, Zhangqiu City, Shandong Province

Zip Code: 250200

**The Quality Management System of the above organization has been assessed and found to be in accordance with the requirements of the standard:**

**GB/T19001-2008 idt ISO9001:2008**

Scope of this management Certification

Design and manufacture of Ring Die Pellet Machine, Horizontal Ring Die Pellet Machine, Vertical Ring Die Pellet Machine and related equipment (Wood Sawdust Machine, Hammer Mill, Wood Chopper, Rotary Dryer, Mixer, Cooling Machine, Screening Machine, Dust Removal Equipment)

|            |             |       |            |       |
|------------|-------------|-------|------------|-------|
| First S.A. | Second S.A. | Stick | Third S.A. | Stick |
|------------|-------------|-------|------------|-------|

The term of validity of the certificate, the certificate shall be at least once a year surveillance audit. With qualified logo, for the effective certificate. The certificate information is available in the certification and Accreditation Administration of the People's Republic of China's official website: www.cca.gov.cn





Date of Issue: 31 Oct. 2016 Date of Change: 04 Dec. 2017 Valid until: 28 Dec. 2018  
Room 201, 2nd Building, No. 6 South Street of Gulin (Zhangqiu District), Zhangqiu City, Shandong Province 250200  
No. 0001467

证书号第 3026641 号




## 外观设计专利证书

外观设计名称: 立式环模颗粒机

设计人: 王金海

专利号: ZL 2014 3 0235996.6

专利申请日: 2014 年 07 月 14 日

专利权人: 山东宇冠机械有限公司

授权公告日: 2014 年 12 月 03 日

本外观设计经过本局依照中华人民共和国专利法进行初步审查, 决定授予专利权。颁发本证书并在专利登记簿上予以登记。专利权自授权公告之日起生效。  
本专利的专利权期限为十年, 自申请日起算。专利权人应当依照专利法及实施细则的规定缴纳年费。本专利的年费应当在每年 07 月 14 日前缴纳。未按照规定缴纳年费的, 专利权自应当缴纳年费期满之日起终止。  
专利权人就专利权登记时的法律状况, 专利权的转移、质押、变更、终止、恢复和专利权人的姓名或者名称、国籍、地址变更等事项记载在专利登记簿上。

局长 申长雨

申长雨



第 1 页, 共 1 页



## Supplier Assessment Certificate

Certification No. 7454617\_P+T

Shandong Rotex Machinery Co., Ltd.  
山东宇冠机械有限公司  
<http://pelletmachinery.en.alibaba.com>

Onsite assessment of the following areas was conducted by Bureau Veritas:

|   |   |
|---|---|
| <input checked="" type="checkbox"/> Company Overview                      | <input checked="" type="checkbox"/> Human Resources             |
| <input checked="" type="checkbox"/> Current Export Situation              | <input checked="" type="checkbox"/> Export Business Capacity    |
| <input checked="" type="checkbox"/> Production Capacity                   | <input checked="" type="checkbox"/> Quality Assurance           |
| <input checked="" type="checkbox"/> Production Process Management         | <input checked="" type="checkbox"/> R & D Capacity              |
| <input checked="" type="checkbox"/> Company Development / Expansion Plans | <input checked="" type="checkbox"/> Production Flow             |
| <input checked="" type="checkbox"/> Certification & Plans                 | <input checked="" type="checkbox"/> Company and Product Samples |

Valid: 13 Apr 2014 to 12 Apr 2015

Issued by: 

Date of Issue: 18 Apr 2014

Assessed by: 

Certificate No. 7454617\_P+T

Signature:   
I hereby declare on behalf of Bureau Veritas that I am the issuer of this certificate.



# Contact RotexMaster

Product Expert

Email: [sales@rotexmaster.cn](mailto:sales@rotexmaster.cn)

---

Tel: +86 531 67880768

Web: [www.pelletlinesolutions.com](http://www.pelletlinesolutions.com)